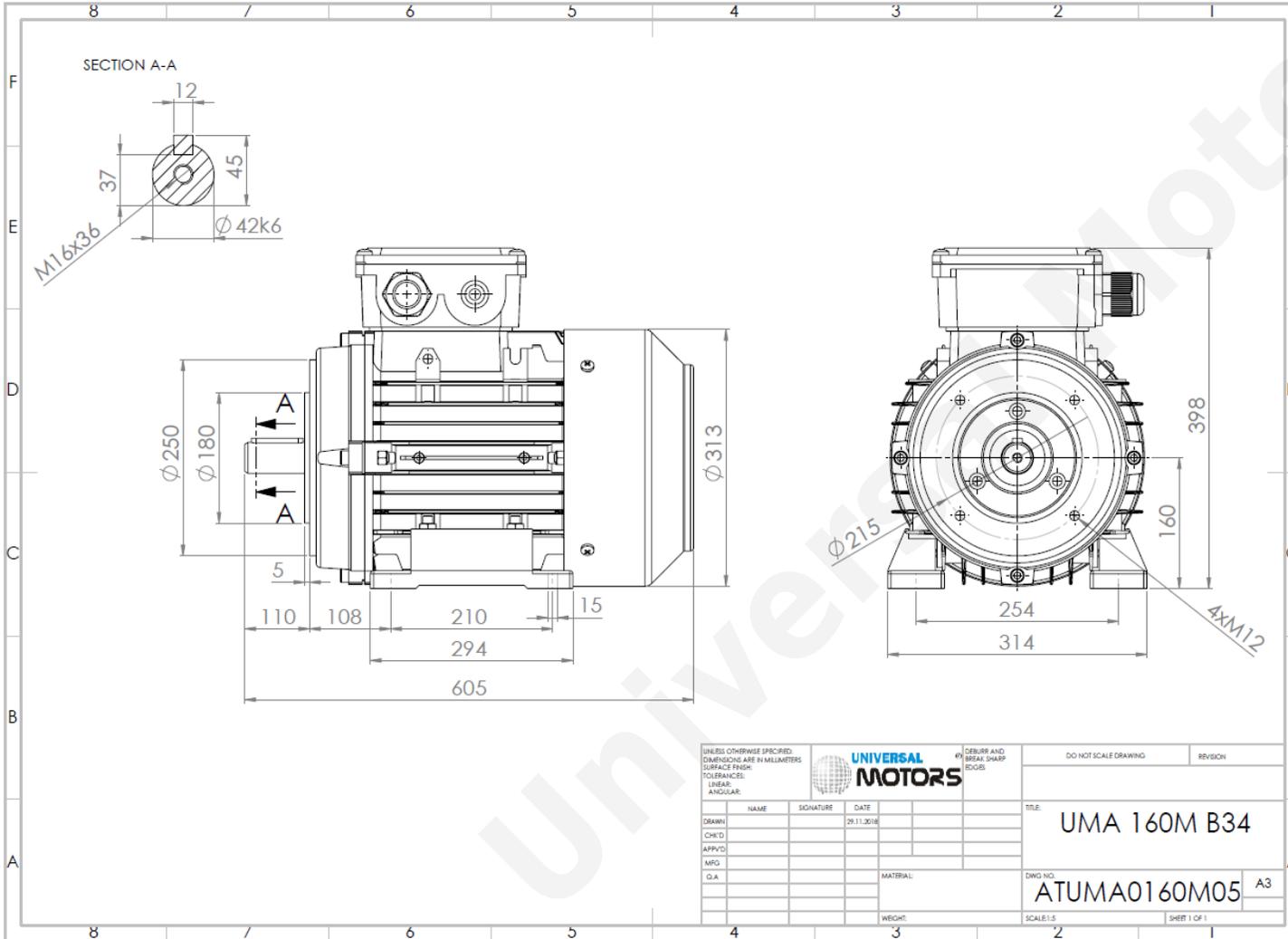




TECHNICAL DATA

Three Phase Electric Motors - Aluminum Frame
 UM2A 160M-4
 11 kW / 15 Cv
 1460 RPM



| | |
|-----------------------------|----------------------|
| Motor type: | UM2A 160M-4 |
| Output: | 11 kW / 15 Cv |
| Speed (min ⁻¹): | 1460 RPM |
| Frequency: | 50 Hz |
| Voltage: | 400 V |
| Current: | 21.3 A |
| Power factor (Cos Ø): | 0.83 |
| Poles: | 4 |
| Insulation class: | F |
| Temperature rise Class: | B |
| Efficiency 50%: | 90.0 % |
| Efficiency 75%: | 90.4 % |
| Efficiency 100%: | 89.8 % |
| Torque: | 71 N.m |
| Tstarting/Tnominal: | 2.5 |
| Istarting/Inominal: | 7.0 |
| Tmaximum/Tnominal: | 2.7 |
| Noise: | 75 Db(A) |
| Weight: | 82 Kg |
| Brake AC: | AC8 |
| Torque Brake DC: | 200 N.m |
| Bearing DE: | 6309 2Z |
| Bearing NDE: | 6309 2Z |
| Torque Brake AC: | 200 N.m |
| Brake DC: | K8 |

Regime - S1

Altitude - 1000m

Environment Temperature - 40°C

CONTACTS:

UNIVERSAL MOTORS Tel: +351 252 299 080
 Rua de São Brás,745 Fax: +351 252 299 089
 4480-782 VILA DO CONDE Mail: geral@universalmotors.pt

* References applied only in the UK